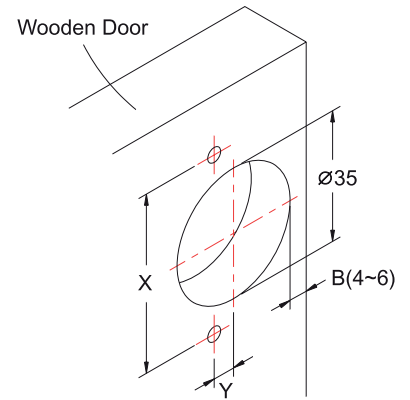
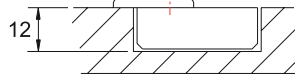


## 35mm CONCEALED HINGE (105°)

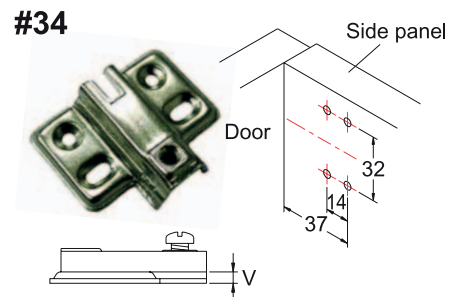
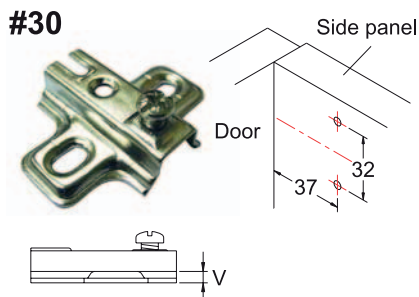
### #FTS series

- \* **Slide On**
- \* **Two Section**
- \* Cup Material: Steel(Np)
- \* Cup C.C. 45mm, 48mm, 52mm
- \* Cup Drilling Depth: 12mm  
(Cup Depth: 11.7mm)
- \* Arm Material: Steel(NP)
- \* Self-Closing(With Spring Wire)

Cup C.C. X	45	48	52
Fix Size Y	9.5	6	5.5



Crankings			Item No.																																														
<b>Full Overlay</b> 	 $L=19.5+B-V$	<table border="1"> <tr> <td>V=4.5</td> <td>B</td> <td>4</td> <td>5</td> <td>6</td> </tr> <tr> <td></td> <td>L</td> <td>19</td> <td>20</td> <td>21</td> </tr> <tr> <td>V=6.5</td> <td>B</td> <td>4</td> <td>5</td> <td>6</td> </tr> <tr> <td></td> <td>L</td> <td>17</td> <td>18</td> <td>19</td> </tr> <tr> <td>V=8.5</td> <td>B</td> <td>4</td> <td>5</td> <td>6</td> </tr> <tr> <td></td> <td>L</td> <td>15</td> <td>16</td> <td>17</td> </tr> </table>	V=4.5	B	4	5	6		L	19	20	21	V=6.5	B	4	5	6		L	17	18	19	V=8.5	B	4	5	6		L	15	16	17	<table border="1"> <tr> <td></td> <td>Cup C.C. 45</td> <td>Cup C.C. 48</td> <td>Cup C.C. 52</td> </tr> <tr> <td></td> <td>FTS145W1</td> <td>FTS148W1</td> <td>FTS152W1</td> </tr> <tr> <td></td> <td>FTS145D1</td> <td>FTS148D1</td> <td>FTS152D1</td> </tr> <tr> <td></td> <td>FTS145D2</td> <td>FTS148D2</td> <td>FTS152D2</td> </tr> </table>		Cup C.C. 45	Cup C.C. 48	Cup C.C. 52		FTS145W1	FTS148W1	FTS152W1		FTS145D1	FTS148D1	FTS152D1		FTS145D2	FTS148D2	FTS152D2
V=4.5	B	4	5	6																																													
	L	19	20	21																																													
V=6.5	B	4	5	6																																													
	L	17	18	19																																													
V=8.5	B	4	5	6																																													
	L	15	16	17																																													
	Cup C.C. 45	Cup C.C. 48	Cup C.C. 52																																														
	FTS145W1	FTS148W1	FTS152W1																																														
	FTS145D1	FTS148D1	FTS152D1																																														
	FTS145D2	FTS148D2	FTS152D2																																														
<b>Half Overlay</b> 	 $L=8.5+B-V$	<table border="1"> <tr> <td>V=4.5</td> <td>B</td> <td>4</td> <td>5</td> <td>6</td> </tr> <tr> <td></td> <td>L</td> <td>11</td> <td>12</td> <td>13</td> </tr> <tr> <td>V=6.5</td> <td>B</td> <td>4</td> <td>5</td> <td>6</td> </tr> <tr> <td></td> <td>L</td> <td>9</td> <td>10</td> <td>11</td> </tr> <tr> <td>V=8.5</td> <td>B</td> <td>4</td> <td>5</td> <td>6</td> </tr> <tr> <td></td> <td>L</td> <td>5</td> <td>6</td> <td>7</td> </tr> </table>	V=4.5	B	4	5	6		L	11	12	13	V=6.5	B	4	5	6		L	9	10	11	V=8.5	B	4	5	6		L	5	6	7	<table border="1"> <tr> <td></td> <td>Cup C.C. 45</td> <td>Cup C.C. 48</td> <td>Cup C.C. 52</td> </tr> <tr> <td></td> <td>FTS245W1</td> <td>FTS248W1</td> <td>FTS252W1</td> </tr> <tr> <td></td> <td>FTS245D1</td> <td>FTS248D1</td> <td>FTS252D1</td> </tr> <tr> <td></td> <td>FTS245D2</td> <td>FTS248D2</td> <td>FTS252D2</td> </tr> </table>		Cup C.C. 45	Cup C.C. 48	Cup C.C. 52		FTS245W1	FTS248W1	FTS252W1		FTS245D1	FTS248D1	FTS252D1		FTS245D2	FTS248D2	FTS252D2
V=4.5	B	4	5	6																																													
	L	11	12	13																																													
V=6.5	B	4	5	6																																													
	L	9	10	11																																													
V=8.5	B	4	5	6																																													
	L	5	6	7																																													
	Cup C.C. 45	Cup C.C. 48	Cup C.C. 52																																														
	FTS245W1	FTS248W1	FTS252W1																																														
	FTS245D1	FTS248D1	FTS252D1																																														
	FTS245D2	FTS248D2	FTS252D2																																														
<b>Inset</b> 		<table border="1"> <tr> <td>V=6.5</td> <td>B</td> <td>4</td> </tr> <tr> <td></td> <td>L</td> <td>0</td> </tr> </table> <p>B: Cup drilling distance V: Mounting plate reinforcement L: Overlay</p>	V=6.5	B	4		L	0	<table border="1"> <tr> <td></td> <td>Cup C.C. 45</td> <td>Cup C.C. 48</td> <td>Cup C.C. 52</td> </tr> <tr> <td></td> <td>FTS345W1</td> <td>FTS348W1</td> <td>FTS352W1</td> </tr> <tr> <td></td> <td>FTS345D1</td> <td>FTS348D1</td> <td>FTS352D1</td> </tr> <tr> <td></td> <td>FTS345D2</td> <td>FTS348D2</td> <td>FTS352D2</td> </tr> </table>		Cup C.C. 45	Cup C.C. 48	Cup C.C. 52		FTS345W1	FTS348W1	FTS352W1		FTS345D1	FTS348D1	FTS352D1		FTS345D2	FTS348D2	FTS352D2																								
V=6.5	B	4																																															
	L	0																																															
	Cup C.C. 45	Cup C.C. 48	Cup C.C. 52																																														
	FTS345W1	FTS348W1	FTS352W1																																														
	FTS345D1	FTS348D1	FTS352D1																																														
	FTS345D2	FTS348D2	FTS352D2																																														



### Mounting Plate

Wood Screw	For Dowel		Euro Screw	Material	Mounting plate reinforcement (V)	Build up
Ø4 X 16	Ø5 X 12	Ø5 X 8	Ø6.3 X 12	Steel	4.5mm	0mm
#30.WA0	-	-	#30.EA0	Steel	6.5mm	2mm
#30.WA2	-	-	#30.EA2	Steel	6.5mm	2mm
#34.WA2	-	-	#34.EA2	Steel	6.5mm	2mm
#30.WA4	-	-	#30.EA4	Steel	8.5mm	4mm