

Gâches électriques

A p r i o r t a e l e t t r i c i

Elektro-Türöffner

Electric strikes

Cerraderos eléctricos

GLASS DOOR STRIKES 914U / 934U



The multifunctional glass door strikes 914U and 934U



Strikes for glass doors

- ▶ Vertical and horizontal installation possible
- ▶ Suitable for DIN left and DIN right due to 180° offset installation
- ▶ Load and no-load current version
- ▶ Available with monitoring contact
- ▶ With 12/24 V changeover switch and suppressor diode (e.g. for combination with access control systems)
- ▶ Adaptable to glass thickness (patent registered)
- ▶ Glass panel thickness adjustable from 9-12 and 13-15 mm (FaFix*)
- ▶ Model 914U with security pin to prevent unintended arresting of the latch

* Explanation on Page 7

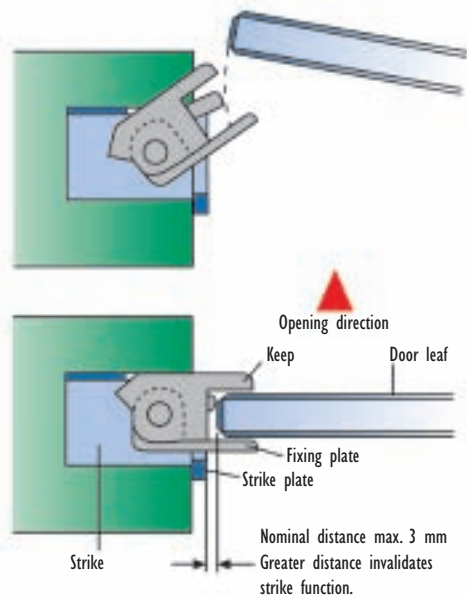
Increased planning security: 12/24 Volt changeover switch for AC and DC operation

- ▶ Changeover from 12-24V voltage range with sliding switch: This ensures simple and safe voltage selection.
- ▶ Integrated suppressor diode ensures surge voltage protection for DC and AC current
- ▶ A single version dispenses with planning decisions on whether
 - 12 or 24 V
 - AC or DC
 - a diode or no diode is required, as the strike covers all of these options.



Sliding switch for voltage selection

Function of our strikes for glass doors



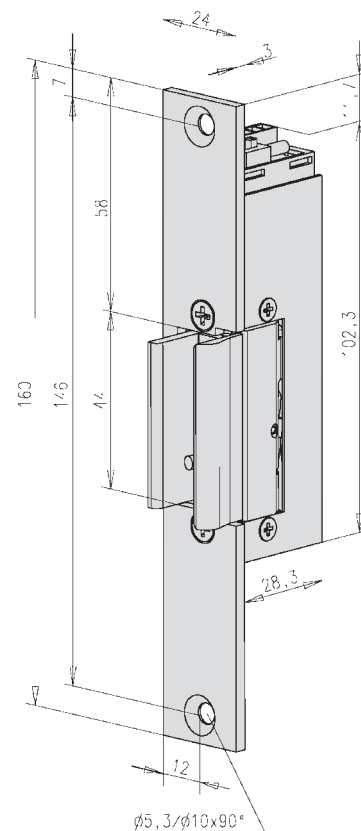
Model 914U
with and without flat striking plate
(striking plate no. 403)

Technical data

Intrusion resistance (standard)	3700 N
Housing material: housing/keep	Die-cast zinc/Brass
Operating temperature range	-15 °C to +40 °C
Installation irrespective of position	Yes

Electrical data at 20 °C

	12 V eE	24 V eE
Rated operating voltage tolerance range	± 1 V	± 2 V
Nominal resistance	57.5 Ohm	230.0 Ohm
AC consumption	130 mA	70 mA
DC consumption (50% residual ripple)	190 mA	100 mA
DC consumption (stabilised)	210 mA	105 mA
Operating sound in AC mode	3	3
Operating sound in DC mode (50% residual ripple)	0	0
Max. keep preload for AC	50 N	50 N
Max. keep preload for DC (50% residual ripple)	10 N	10 N
Max. keep preload for DC (stabilised)	10 N	10 N

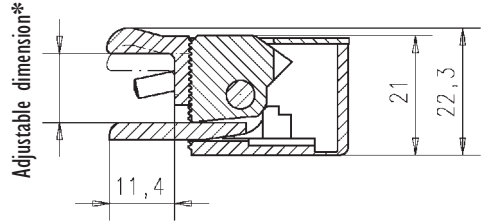




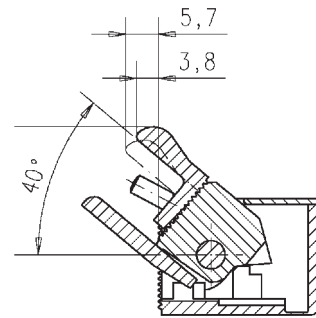
Model 934UR

(No-load current version with monitoring contact*)
with and without flat striking plate
(striking plate no. 403)

*Explanation on page 7



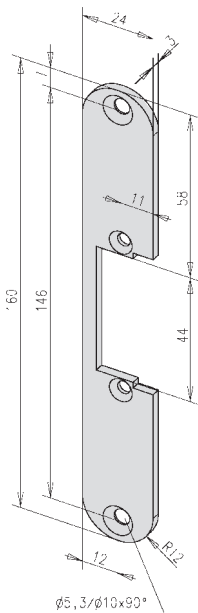
* 9.5 - 12 mm (for Model 914U / 934U)
13.5 - 15.5 mm (for Model 914U15 / 934U15)



Suitable striking plates

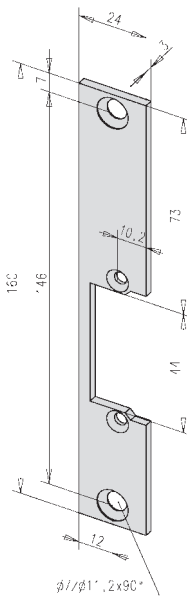
The appropriate striking plate for every installation situation.

Please refer to our main catalogue for other striking plates (e.g. the Fix striking plate 154).



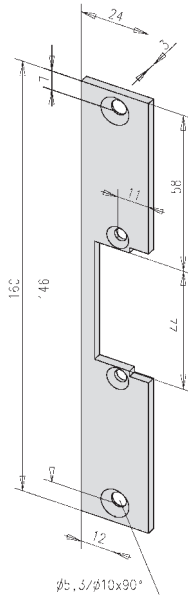
Stainless steel radiused flat striking plate for Models 914U and 934U (universal DIN left/ DIN right), Order No.

-----12135-01



Flat striking plate, RAL 7037 (dusty grey) for Models 914U and 934U (universal DIN left/ DIN right), Order No.

-----16169-01



Stainless steel flat striking plate for Models 914U and 934U (universal DIN left/DIN right), Order No.

-----40335-01

Overview of order numbers

12-24 V changeover switch	Suppressor diode	Monitoring contact	Load current	No-load current	Glass thickness 9-12 mm	Glass thickness 13-15 mm	Order number
•	•		•		•		914U-----Q31
•	•	•	•		•		914UR-----Q31
•	•		•			•	914U15-----Q31
•	•	•	•			•	914UR15-----Q31
•	•			•	•		934U-----Q91
•	•	•		•	•		934UR-----Q91
•	•			•		•	934U15-----Q91
•	•	•		•		•	934UR15-----Q91

Ordering information for strikes with striking plate

To order a strike with the required striking plate, simply add 5 digits to the order numbers in the table above.

Order example:

914U---[]---Q31

Numerical positions 8-12 designate striking plate:

Please enter the striking plate no. here (e.g. 40335).

Further striking plates are illustrated on the previous page, alternatively information is available on request.

Explanations

FaFix

Strike with adjustable and fixed keep:

The adjustable keep enables exact adjustment of the glass door strike to suit the glass thickness involved.

Monitoring contact

The monitoring contact is actuated by the engaging glass door leaf via a switch or actuating plate located directly behind the engaging edge of the keep.

The monitoring contact signals the "open" or "closed" door status. The access control system evaluates this information and monitors the door. The access control system triggers an alarm if, for example, a door is not closed after someone enters or leaves.

Gâches électriques

A p r i o r t a e l e t t r i c i

Elektro-Türöffner

Electric strikes

Cerraderos eléctricos

ASSA ABLOY
Sicherheitstechnik GmbH
Bildstockstraße 20
72458 Albstadt
GERMANY
Tel. +49 7431 123-0
Fax +49 7431 123-240
albstadt@assaabloy.de
www.assaabloy.de



effeff, established in 1936 as a precision engineering and electrical engineering workshop, has developed through the implementation of a consistent product policy to become the global market leader in the field of electromechanical locking device technology. Electric strikes, electrical bolts, safety locks, access control systems, electro holding magnets, escape route systems, revolving door drives, arrester systems for fire barriers and control elements are among the effeff products exported today from Albstadt on the Swabian Alb, Germany, to over 75 countries around the globe.

IKON, established in 1926 as ZEISS IKON AG, is one of the leading manufacturers of locking cylinders, locks and locking systems in Germany. Our products and solutions are manufactured to state-of-the-art technological standards and also include (for some time now) mechatronic locking cylinders, access control systems, escape door technology, door fittings and door closing mechanisms, along with numerous auxiliary locks and securing devices. They protect both people and valuables.

ASSA ABLOY Sicherheitstechnik GmbH. The IKON and effeff brands have been developed, produced and marketed in a joint company since 2005, with both ranges perfectly complementing each other. This enables us to offer our customers comprehensive and complex system solutions for private, commercial and public service applications.

ASSA ABLOY is the world's leading manufacturer and supplier of locking system solutions and security systems, meeting the high demands of customers for security, protection and user-friendliness. With around 30,000 employees, the group generates an annual turnover of approximately 3 thousand million Euro.